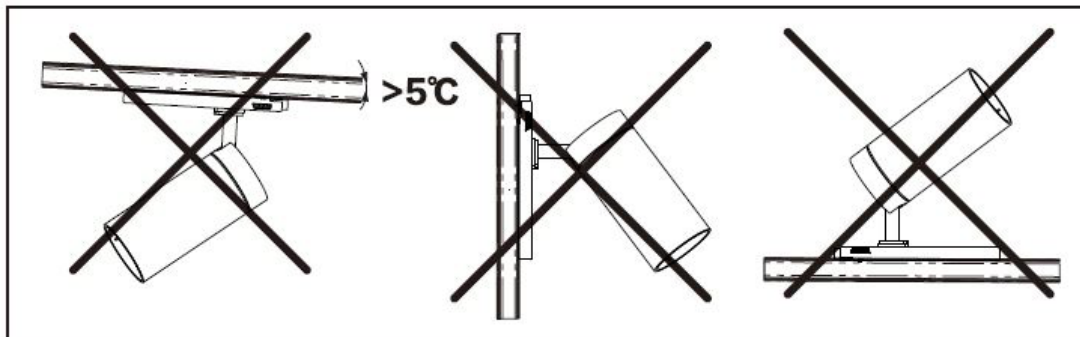
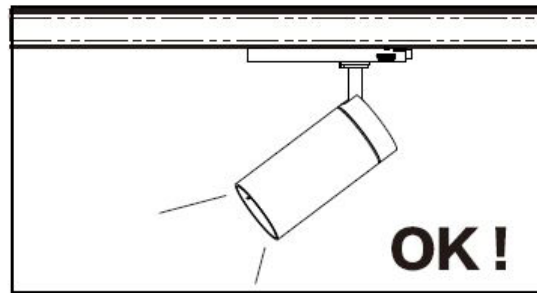
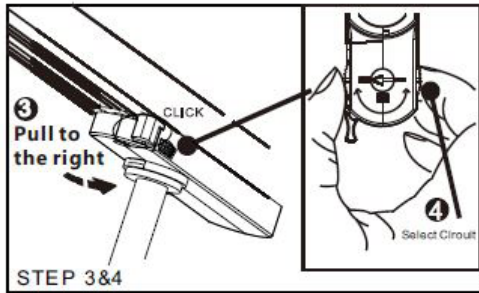
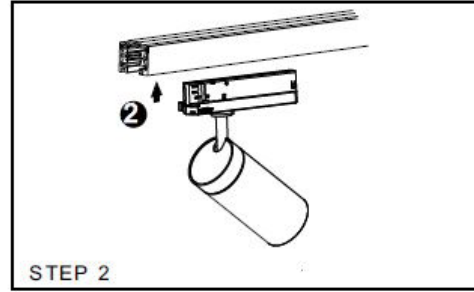
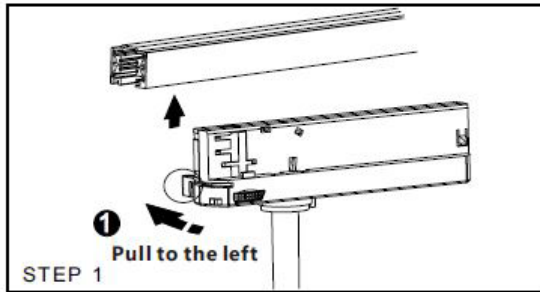



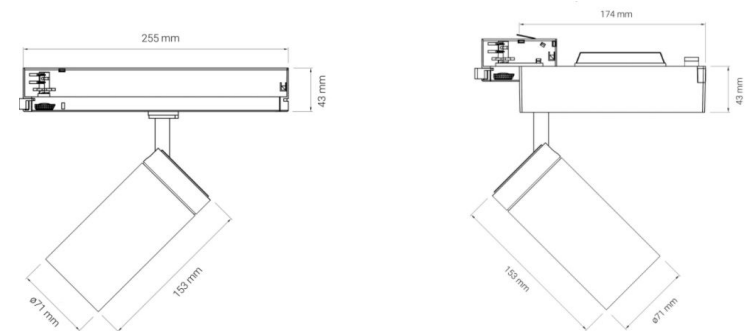
# INSTALLATION INSTRUCTIONS TANTALUM

## INSTALLATION INSTRUCTIONS



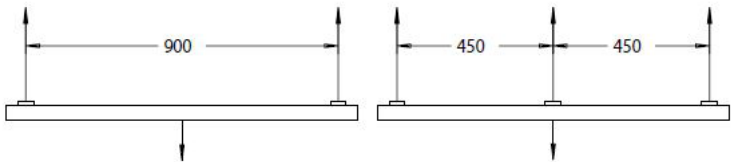
## WARNINGS

- INPUT VOLTAGE/POWER AND OUTPUT POWER RATINGS ARE INDICATED ON THE TOP OF THE TRACK GEAR BOX. THE MAXIMUM RATING OF THE LED HEAD MODULE IS INDICATED ON THE LABEL VISIBLE AFTER TWISTING OFF THE LED HEAD MODULE
- DON'T REPLACE ANY ACCESSORIES OR WORK ON LUMINAIRE WHILE VOLTAGE IS PRESENT ON THE FIXTURE.
- THIS LUMINAIRE IS SUITABLE FOR INDOORS ONLY.
- UNDER NO CIRCUMSTANCES, CAN THE LUMINAIRE BE COVERED WITH HEAT INSULATION GASKET OR SIMILAR MATERIALS.
- THE LIGHT SOURCE CONTAINED IN THIS LUMINAIRE SHALL ONLY BE REPLACED BY THE MANUFACTURER OR LOCAL DISTRIBUTOR OR SIMILAR QUALIFIED PERSON IN ORDER TO AVOID HAZARDS.
- TO AVOID POTENTIAL LAMP FAILURE, THE LUMINAIRE SHOULD BE SWITCHED OFF AT LEAST ONCE A WEEK.
- WARNING - RISK OF ELECTRIC SHOCK 
- LED MODULE RISK GROUP ONE
- THE MAXIMUM PERMISSIBLE AMBIENT TEMPERATURE  $T_a$  OF THE LUMINAIRE MAY NOT BE EXCEEDED. EXCEEDING THIS TEMPERATURE REDUCES THE SERVICE LIFE AND, IN EXTREME CASES, EARLY FAILURE CAN OCCUR.
- WHEN CHANGING THE GEARBOX CURRENT RATING, ENSURE THAT THE SETTING OF THE GEARBOX DO NOT EXCEED THE MAXIMUM RATING OF THE LED HEAD MODULE
- LED CHIP IS NOT END-USER REPLACEABLE.
- TURN POWER OFF TO THE TRACK BEFORE INSTALLING/REMOVING THE TRACK LUMINAIRE.

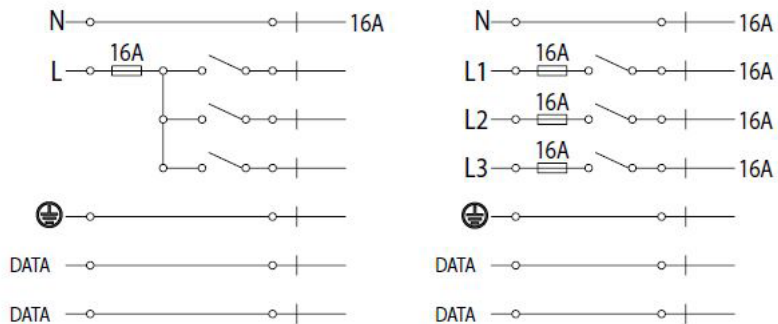


# INSTALLATION INSTRUCTIONS TANTALUM

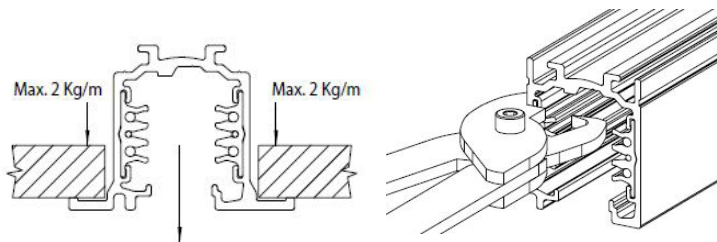
## INSTALLATION GUIDE



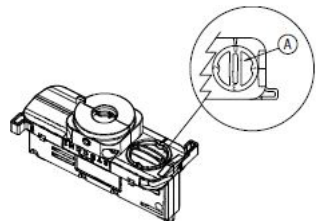
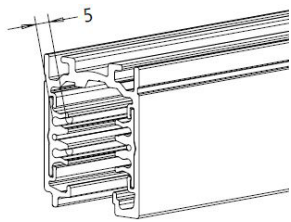
- STANDARD: 25KG RECESSED 20KG + 2KG + 2KG



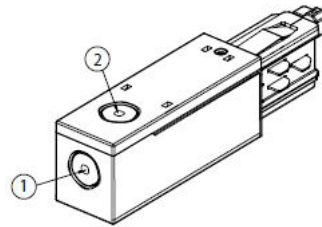
- WIRING DIAGRAM



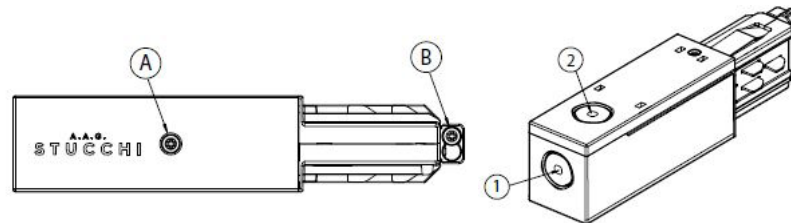
- MAX LOAD
- RECESSING TRACK CONDUCTORS



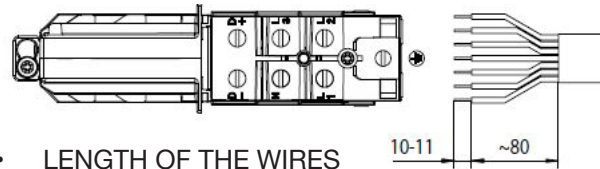
- MINIMUM RECESSING DISTANCE
- PHASE SELECTOR



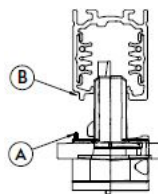
- IN ORDER TO GUARANTEE THE CORRECT WIRING OF SYSTEM THE END FEED IS PROVIDED WITH A MECHANICAL KEY THAT ENSURES THE CORRECT INSERTION INTO THE TRACK. WHEN INSTALLING THE MECHANICAL KEY MUST BE USED CORRECTLY.



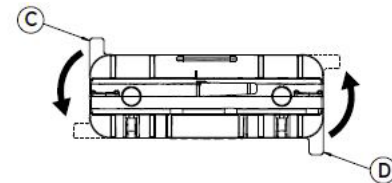
- END FEED SCREWS
- KNOCK-OUT WALLS



- LENGTH OF THE WIRES

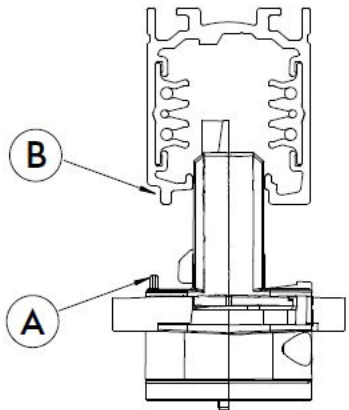


- MECHANICAL KEY

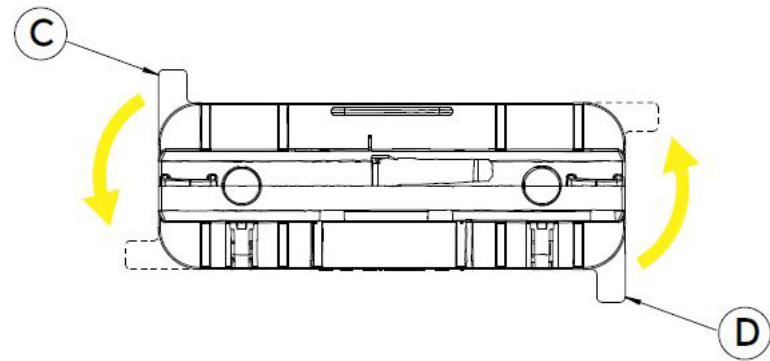
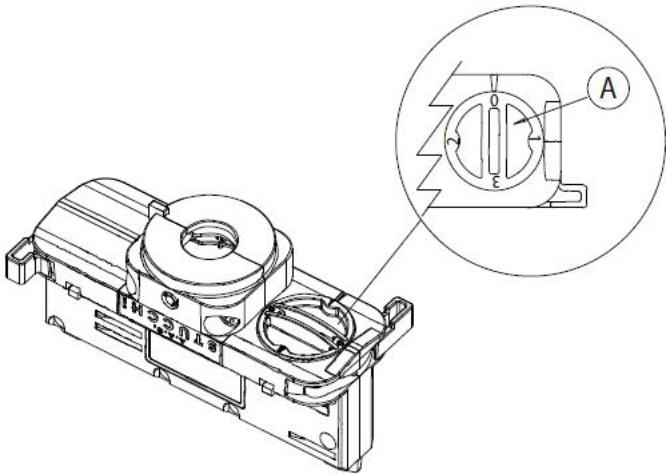


- CAMS ROTATION

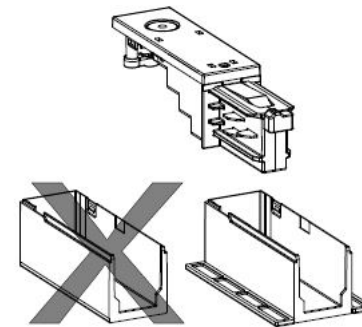
## INSTALLATION GUIDE



- WHEN THE TRACK IS CONNECTED TO A THREE-PHASE SYSTEM IT IS POSSIBLE TO SELECT THE PHASE (L1,L2 OR L3) TO DISTRIBUTE THE SINGLE LUMINAIRES IN THE SYSTEM, BY MEANS OF THE PROPER SELECTOR (A) OF THE ADAPTOR SEE BELOW.



- INSERT THE ADAPTER INTO THE TRACK, SO THAT THE MECHANICAL KEY (A) IN THE ADAPTER MATCHES THE GROOVE (B) IN THE TRACK. ROTATE OF ABOUT 90° THE LEVERS OF THE TWO CAMS (C AND D) UNTIL THEY REACH THE LOCKING POSITION PLEASE SEE ABOVE.



- THE STANDARD COVER MUST BE REPLACED WITH THE RECESSED COVER.